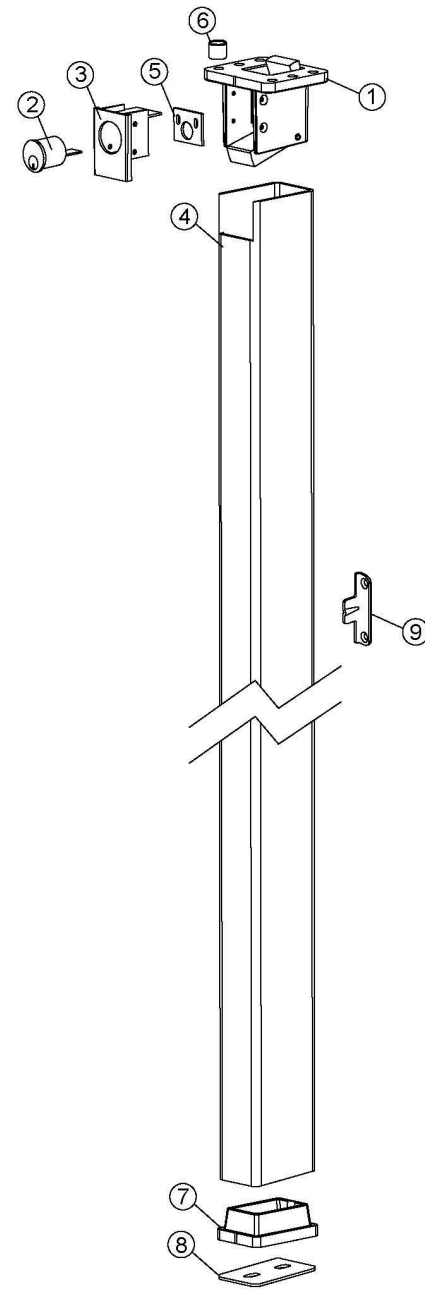


# 90 SERIES



## 90KR / F90KR Parts List

Item	Order Part#	Description	Price
1	100222-5	Top fitting subassy, 90KRE	\$333.00
	100222-1	Top fitting subassy, 90KR	\$136.00
	100222	Top fitting subassy, F90KR	\$189.00
2	ECL-445K-7	Rim Cylinder (sold separately)	\$42.00
3	100215K	Cylinder housing	\$17.85
4	100213-1	Post, Mullion, F90KR / 90KR, 7 ft	\$293.00
	100213	Post, Mullion, F90KR / 90KR, 8 ft	\$306.00
	100213-2	Post, Mullion, F90KR / 90KR, 10 ft	\$416.00
	106397-1	Post, Mullion Subassy, 90KRE, 7 ft	\$317.00
	106397-2	Post, Mullion Subassy, 90KRE, 8 ft	\$329.00
	106397-3	Post, Mullion Subassy, 90KRE, 10 ft	\$434.00
5	100221	Rim cylinder back plate (in hardware kit)	\$4.08
6	101593-1	Spacer, Mullion, 1/2" long (in hardware kit)	\$3.44
	101593-2	Spacer, Mullion, 5/8" long (in hardware kit)	\$3.44
7	100226	Base, Mullion (in hardware kit)	\$55.00
8	100219	Shim, Mullion (in hardware kit)	\$6.30
9	100091	Strike Hook (in hardware kit)	\$15.75

NOTE: Your particular part or configuration may not be shown: Contact Detex technical support at 800-729-3839 (option 2)