



Detex Corporation, 302 Detex Drive, New Braunfels, Texas 78130-3045  
830-629-2900 / 800-729-3839 / Fax 800-653-3839 / Text photos only: 830-481-6433 / INTERNET: www.detex.com

ELECTRICAL INSTRUCTIONS FOR ADVANTEX EBxW MODELS

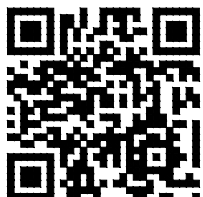


Rim, SVR  
EBxW - Weatherized  
101379  
104600  
101559  
104690

<b>Table of Contents</b>	<b>Page</b>
Device parts breakdown view & part numbers.....	2
Mortise cylinder installation, Switch options.....	3
Alarm operations.....	4
Troubleshooting.....	5
Optional accessories.....	6

Should you have a Question/Problem with your Detex device please call Detex Technical Support from the job site at 1-800-729-3839 and choose option 2 on our menu. Please do not return the product to the distributor.

For WARRANTY information,  
scan code below or  
go to [www.detex.com/warranty](http://www.detex.com/warranty)

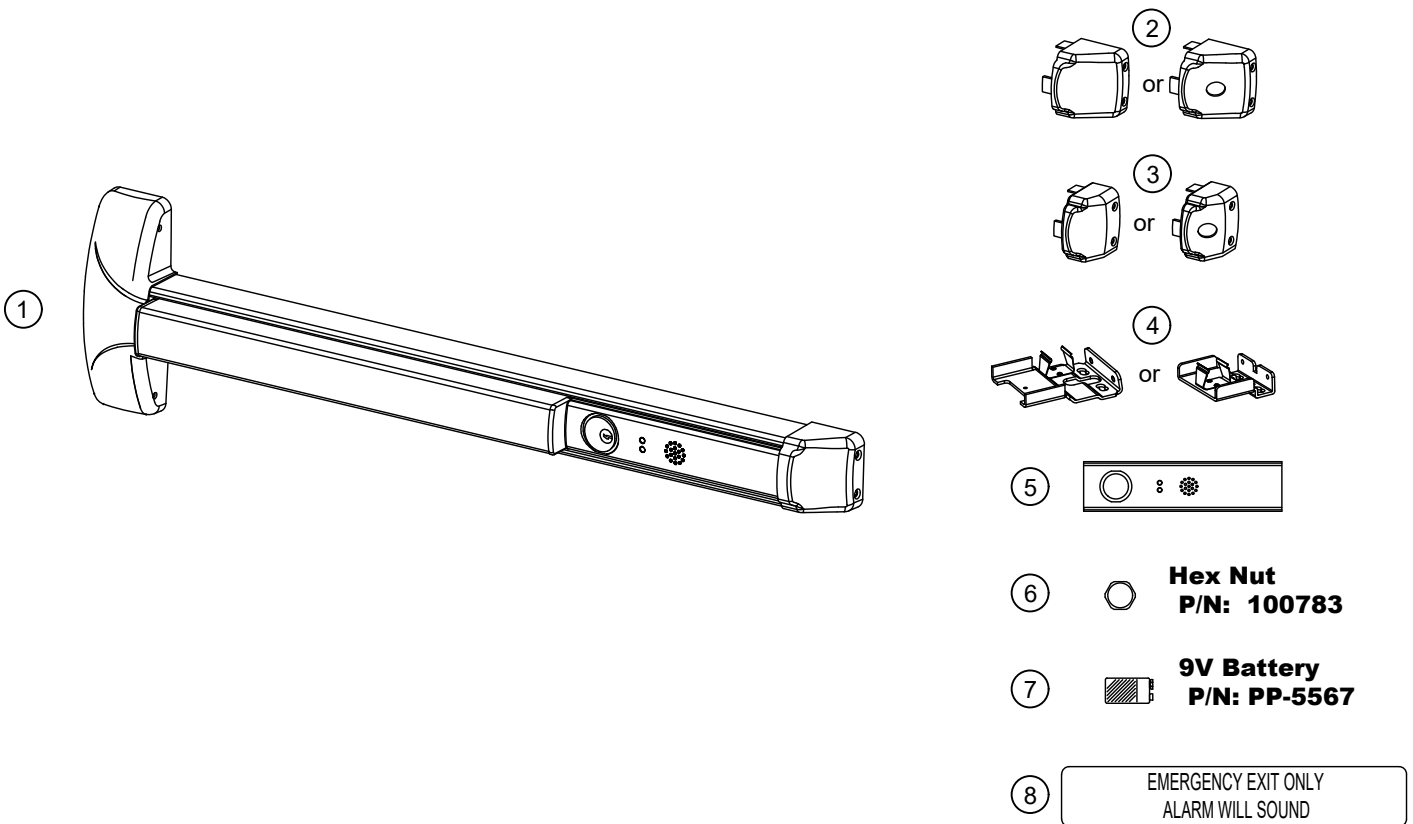


For device installation videos,  
scan code below or  
go to [www.detex.com/videos](http://www.detex.com/videos)



**Owner's Copy**

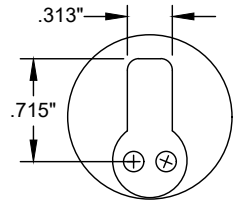
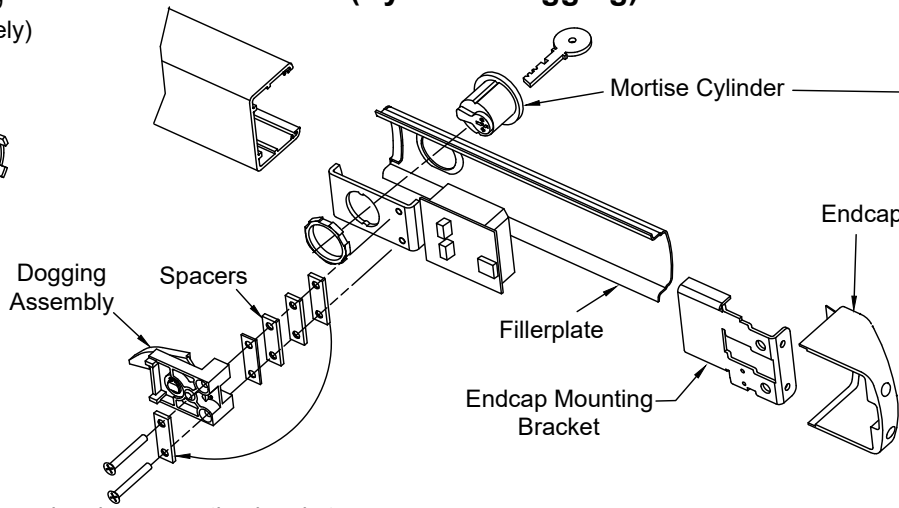
ITEM	PART #	QTY	DESCRIPTION
1	105500-204	1	S&R ADVANTEX CENTERCASE PUSHPAD, 10 x STDI-CD-W
2	101642-9	1	ENDCAP, EC1, STAINLESS STEEL
	102095-9		ENDCAP, EC1, STAINLESS STEEL for FLEX CONDUIT
3	104304-9	1	ENDCAP, EC2, STAINLESS STEEL
	104612-1		ENDCAP, EC2, ALUMINUM
	104317-9		ENDCAP, EC2, STAINLESS STEEL, for FLEX CONDUIT
	104686-1		ENDCAP, EC2, ALUMINUM, for FLEX CONDUIT
4	101093-1W	1	ENDCAP, BRACKET, EC1 w/BATTERY HOLDER
	104636-1W		ENDCAP, BRACKET, EC2 w/BATTERY HOLDER
5	100860-145	1	FILLERPLATE SUBASSEMBLY, EB-W x CD, 3 FT
	100860-151		FILLERPLATE SUBASSEMBLY, EB-W x CD, 4 FT
6	100783	1	HEX NUT
7	PP-5567	1	BATTERY, 9V
8	EA-561	1	DOOR SIGN



**\* Note: Parts listed above will vary according to product configuration.  
Mortise cylinder available as an option.  
Standard Yale type cam required.  
See Mortise cylinder installation page.**

## MORTISE CYLINDER INSTALLATION CD (Cylinder Dogging) Installation

Cylinder nut socket  
p/n 103779  
(sold separately)



Mortise Cylinder with  
standard Yale cam  
required

### Installation steps:

- Remove endcap and endcap mounting bracket.
- Remove fillerplate.
- Remove and discard shipping insert and nut. Loosen (2) screws from dogging assembly.
- Install mortise cylinder (sold separately) with large hex nut provided.
- Trial fit dogging assembly. If cylinder is too short, remove spacers as necessary and reattach them under the (2) screw heads. Fasten the (2) screws to the rest of the assembly.

**NOTE: The key should easily turn in both directions.**

- Rotate key counterclockwise
- Assembly complete. Continue with Panic Hardware instruction.

## SWITCH OPTIONS

Switch selections must be made before installing battery (See Figure 1)

Table 1

Status Indicator	Status Description
<b>Off *</b>	The Device gives no indication of armed or disarmed status.
<b>On</b>	The Device flashes red or green LED every 3 seconds. Red indicates armed status and green indicates disarmed. Low battery in 6 to 8 weeks.

Table 2

Auto rearm	Auto Rearming Feature Setting
<b>Off</b>	Alarm sounds until turned off with key. Extended bypass is enabled.
<b>On</b>	Unit sounds alarm for 2 minutes after bar is released. Alarm will automatically rearm after 2 minutes

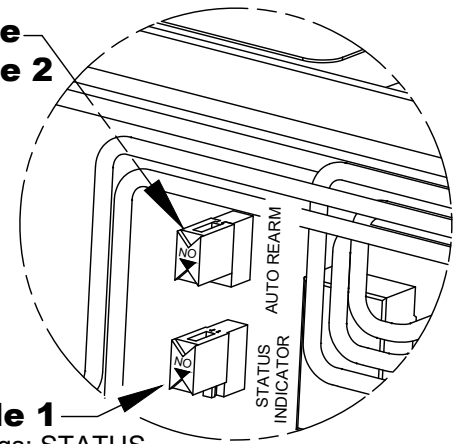
Table 3

Remote Signal - Output		Remote Bypass - Input (dry)	
<b>Brown</b>	<b>Common</b>	<b>Violet</b>	<b>N.O. contact</b>
<b>Yellow</b>	<b>Normally Open</b>	<b>Violet</b>	<b>N.O. contact</b>
<b>Gray-Green</b>	<b>Normally Closed</b>	----	----

**Contacts rated at 1.0A @ 30VDC or 0.5A @ 125VAC**

Figure 1  
Selector switches detail

See  
Table 2

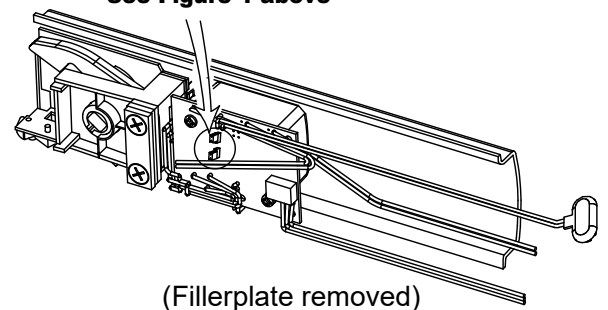
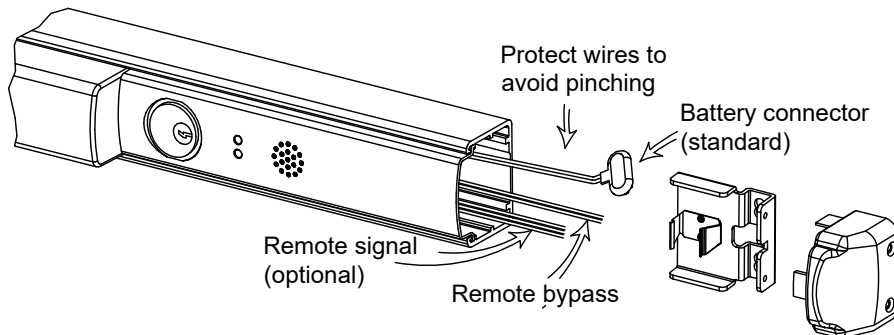


See Table 1

\* Factory default settings: STATUS  
INDICATOR switch set to "OFF"  
AUTO REARM switch set to "OFF"

### Selector switches

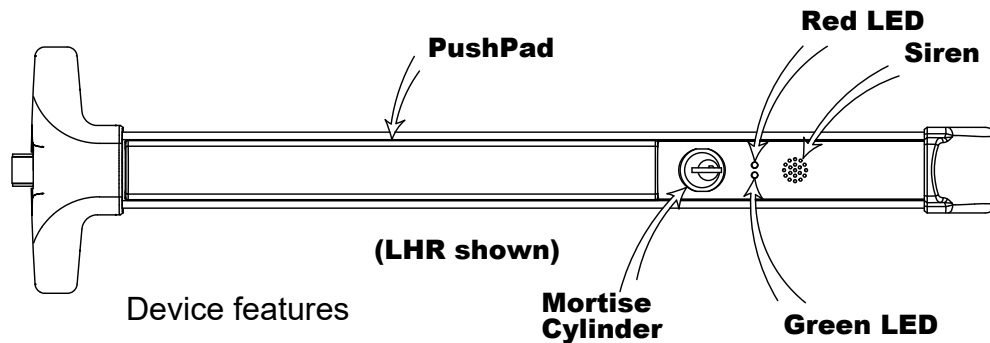
See Figure 1 above



(Fillerplate removed)

# ALARM OPERATIONS

Refer to switch options pages



## SPECIAL NOTES and DEFINITIONS:

1. When operating the ON/OFF switch, there is a slight delay.
2. The key is inserted and removed only in the horizontal position (home position).
3. Key function: counter clockwise (CCW) = Armed; clockwise (CW) = Disarmed.
4. The power needs to be removed to register changes in the slide switches.
  - a. Status Indicator (This will affect battery life)
  - b. Auto Rearm
5. Arming timer mode and auto rearm timers vary by order.

## UNIT ARMING TEST:

1. Turn key counterclockwise (CCW) (key is removable after rotating back to horizontal position).
2. Red LED will flash twice, then green LED will illuminate for the 15 second arming timer, then turn off.

The siren will sound three short beeps indicating the unit is armed.
3. Depress Pushpad (Siren will sound and red LED will illuminate).
4. Turn key clockwise (CW). Turns alarm off.

## LOW BATTERY ALERT:

1. Siren will beep and red LED will blink at approximately 45 second intervals when battery is low.

## DOGGING FEATURE: (dogging & non-fire rated units only)

1. Depress Pushpad.
2. While holding Pushpad depressed, turn key clockwise (CW). Pushpad should remain depressed (Key is removable after rotating back to horizontal position).
3. Unit is now dogged.

## STATUS INDICATOR:

1. Slide the switch to ON and apply power.
2. If the unit is armed, the red LED will blink every 3 seconds.
3. If the unit is disarmed, the green LED will blink every 3 seconds.

## AUTO REARM (On):

1. When the unit is in full alarm and the bar is released, the alarm will shut off after 2 minutes.

## ACTIVATE/DEACTIVATE SILENT ALARM: (reference view below)

1. Remove all power.
2. Turn the device on with the key.
3. Maintain a short between the violet bypass wires.
4. Push and maintain alarm trigger switch and apply power.
5. Unit will chirp twice when silent arming is turned 'ON', and chirps once when silent arming is turned 'OFF'.

# ADVANTECH EBxW Troubleshooting Tips for Default Setting

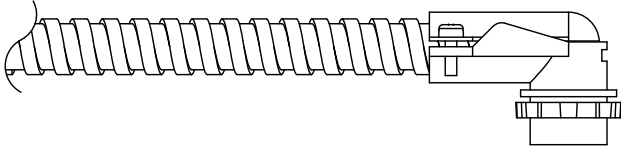
PROBLEM	PROBABLE CAUSE	ACTION
When unit is armed, red LED flashes twice, green LED is on for 15 seconds, but the unit does not give three beeps after the green LED goes off.	<p><b>Battery Low</b></p> <p><b>Silent arming mode.</b></p>	<b>Change battery.</b>
No LED activity when key is turned ccw to armed position.	<p><b>Dead or weak battery.</b></p> <p><b>The actuator switch is sticking.</b></p> <p><b>Battery not secured to connector correctly.</b></p> <p><b>Battery connector or wires damaged.</b></p> <p><b>No external power.</b></p>	<p><b>Install new battery, LED's should flash and the siren beep once.</b></p> <p><b>Lubricate actuator.</b></p> <p><b>Secure battery correctly.</b></p> <p><b>Replace parts</b></p> <p><b>Check for loose connections or power turned off. LED's should flash and the siren beep once.</b></p>
Gives a low battery indication.	<b>Low battery.</b>	<b>Install new battery, LED's should flash and the siren beep once.</b>
LED's do not flash to indicate armed or disarmed status.	<b>Status indicator switch in off position.</b>	<b>Remove battery power from unit. Slide 'Status Indicator'switch to 'ON' position. Reinstall battery.</b>

## Optional Accessories

### Advantex Flex Conduit Kit

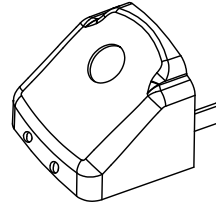
Catalog No: FCA-[Specify Finish]  
 Electrical Wires Not Supplied

**FC3W  
 FC10W**



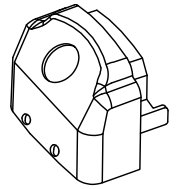
**EC1 endcap**

**FC3EC1W-630  
 FC10EC1W-630**



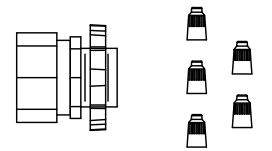
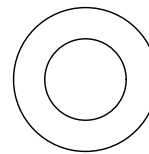
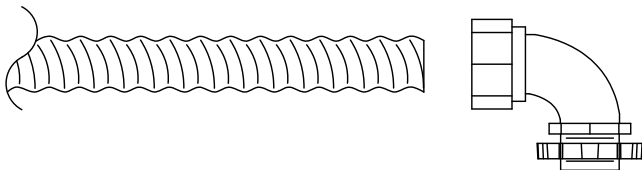
**EC2 endcap**

**FC3EC2W-630  
 FC10EC2W-630**



### Flex Conduit Kit

Catalog No: FC3W or FC10W



**Waterproof  
 Connectors  
 Provided**

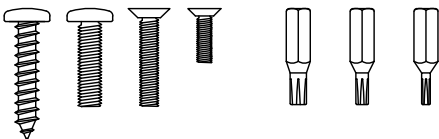
### Tamper Kit

Security Kit

Rim, Catalog No: SSK1

SVR, Catalog No: SSK2

Mortise, Catalog No: SSK3



**Security Screws**

**Security Pin TORX® Bits provided**

### Key Stop Kit

(Momentary Shunt)

Catalog No: KS

