



Detex Corporation, 302 Detex Drive, New Braunfels, Texas 78130-3045
830-629-2900 / 800-729-3839 / Fax 800-653-3839 / Text photos only: 830-481-6433 / INTERNET: www.detex.com

INSTALLATION INSTRUCTIONS FOR MORTISE OUTSIDE LEVER TRIMS

Drawing: 101437 (08DM, 08DMT, 08DMU)
101996 (09DM, 09DMT, 09DMU)
101447 (14DM, 14DMT, 14DMU)

Table of Contents	Page
Device parts breakdown view.....	2
Device part number list.....	3
Prep Trim, Prep Door Trim Side.....	4
Prep Door Device Side, Install Mortise Lock & Trim.....	5
Re-Handing Lever.....	6

Should you have a Question/Problem with your Detex device please call Detex Technical Support from job site at 1-800-729-3839 and choose option 2 on our menu. Please do not return the product to the distributor.

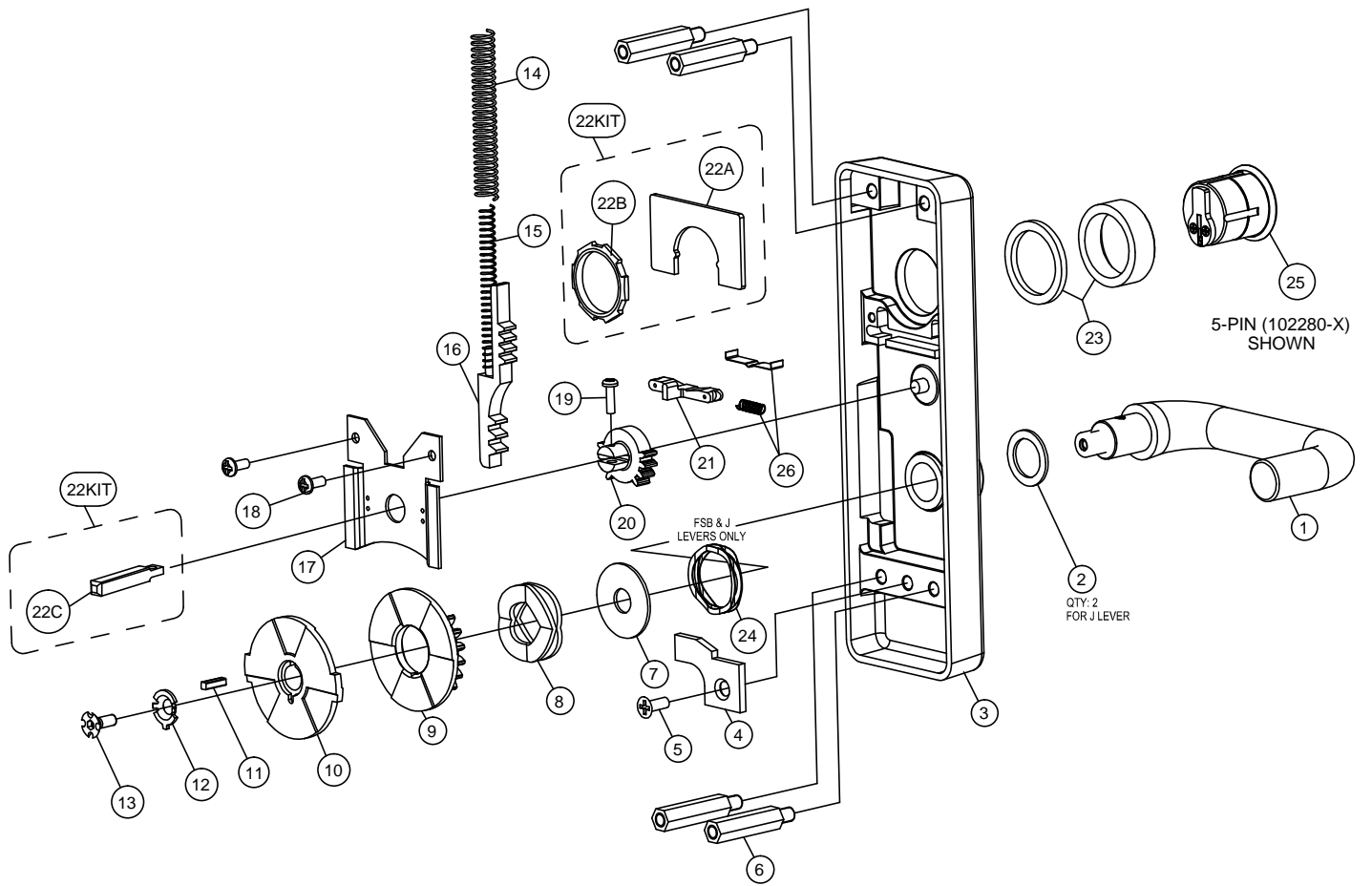
For WARRANTY information,
scan code below or
go to www.detex.com/warranty

For device installation videos,
scan code below or
go to www.detex.com/videos



Owner's Copy





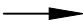
Tools Required:

- Safety Glasses**
- Power Drill**
- Tape Measure**
- Level**
- Pencil**
- Center Punch**
- #2 and #3 Phillips Screw Drivers**
- Drill bits:**
 - 5/16"**
 - 1/2"**
 - 3/4"**

Your particular part or configuration may not be shown:
 Contact Detex technical support at 800-729-3839 (option 2)

PARTS BREAKDOWN			
Item	P/N	QTY	Description
1	106264-7	1	LEVER ASSY, Q, 626
	106264-14		LEVER ASSY, Q, 693
	106264-15		LEVER ASSY, Q, 695
	101376-7		LEVER ASSY, S, 626
	101376-14		LEVER ASSY, S, 693
	101376-15		LEVER ASSY, S, 695
	101375-7		LEVER ASSY, U, 626
	101375-14		LEVER ASSY, U, 693
	101375-15		LEVER ASSY, U, 695
	101374-7		LEVER ASSY, T, 626
	101374-14		LEVER ASSY, T, 693
	101374-15		LEVER ASSY, T, 695
2	106603	2	WASHER, FLAT, 1"x0.02 THK (J LEVER ONLY)
	100851	1	WASHER, FLAT, 1"x0.06 THK (ALL EXCEPT J LEVER)
3	101373-9	1	ESCUTCHEON ASSY, 08DM / 09DM, BP1, 630 FINISH
	101459-9		ESCUTCHEON ASSY, 14DM, BP1, 630 FINISH
4	100771	1	STOP, ROTATIONAL
5	PP-5305-108	1	SCREW, MACH, 10-24 X 1/2 PFH
6	100777	4	STANDOFF, HEX
7	100775	1	WASHER, FLAT
8	103047	1	CLUTCH SPRING
9	103043	1	BOTTOM GEAR, WIDE
10	103044	1	TORQUE PLATE, WIDE
11	103994	1	KEY, SHEAR PIN, STEEL
12	100821	1	WASHER CLUTCH
13	102536-1	1	SCREW, 10-24, CUSTOM
14	100766	1	SPRING, RETURN
15	101509	1	SPRING, RETURN, HELPER
16	101436	1	RACK ASSEMBLY
17	100753	1	COVER PLATE
18	PP-5378-106	2	SCREW, MACH, 8-32 x 3/8 PPH
19	PP-5367-108	1	SCREW, MACH, 6-32 x 1/2 PPH
20	100762	1	TOP GEAR
21	101993	1	LOCK SLIDE
22KIT	105673-2	1	LEVER TRIM HARDWARE KIT
22A	100754	1	PLATE, CYLINDER POSITION
22B	100783	1	NUT, HEXAGON, CYLINDER
22C	103218	1	SHAFT, INPUT (MORTISE)
23	100572-9	1	CYLINDER COLLAR, SHORT
	100752-9		CYLINDER COLLAR, TALL
24	105964	1	WASHER, WAVE
25	103800-626	1	CYLINDER HOUSING, SFIC, MORTISE, 7 PIN, CHROME
	102281-7-X		CYLINDER, MORTISE, 5 PIN, CHROME
26	101997	1	SPRING, COMPRESSION, 09 TRIM (09 function only)
	100773		FLAT SPRING LOCKING (08 function only)

FOR ITEM 25
 "-X" REFERS TO
 KEY CODE
 AA-KK

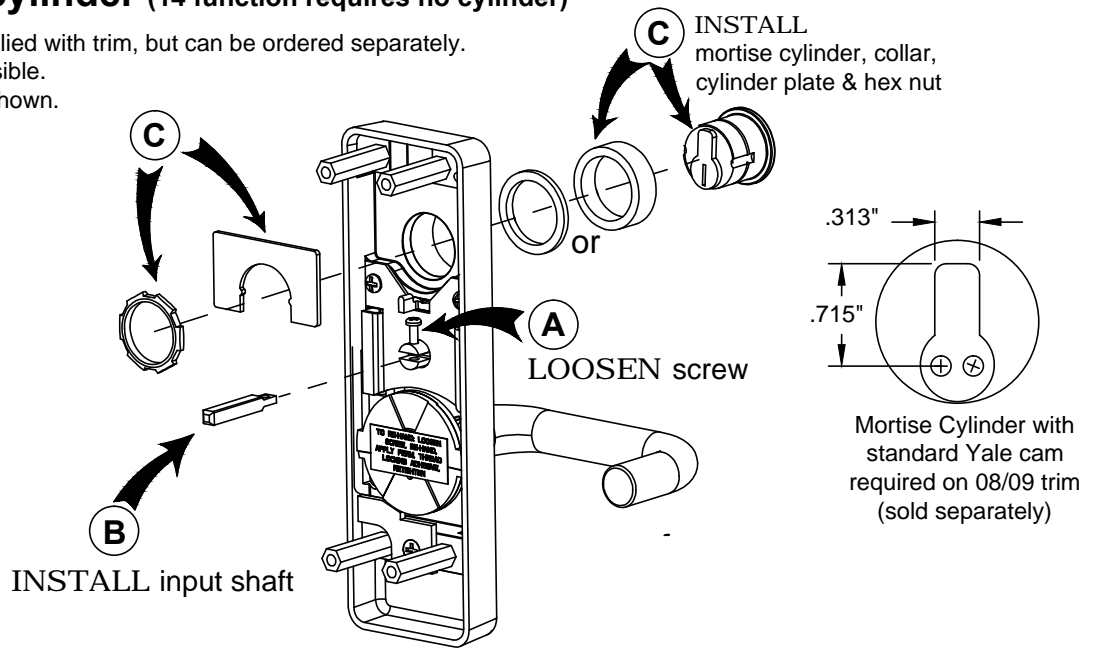


STEP 1: PREP TRIM

Install input shaft & cylinder (14 function requires no cylinder)

- NOTE: 1. Mortise cylinder NOT supplied with trim, but can be ordered separately.
 2. Trim handing is field reversible.
 3. 6-pin cylinder installation shown.

Follow steps A through C in order:

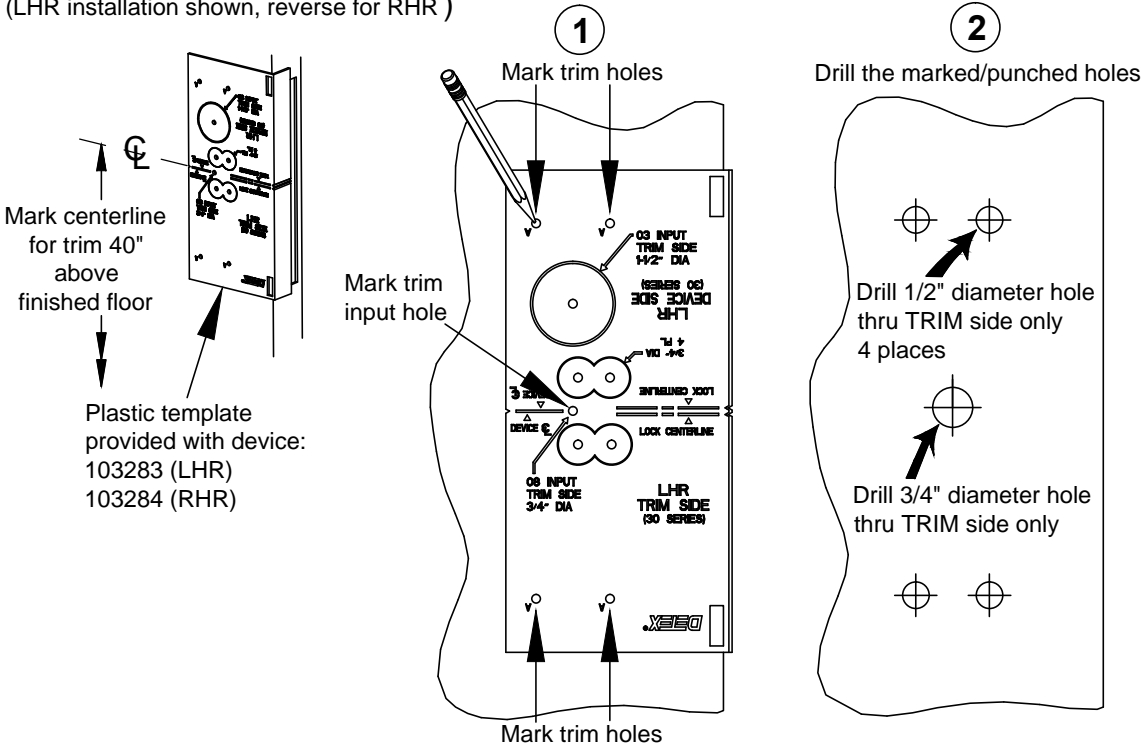


STEP 2: PREP DOOR - Trim Side

Mark and drill holes. (LHR installation shown, reverse for RHR)

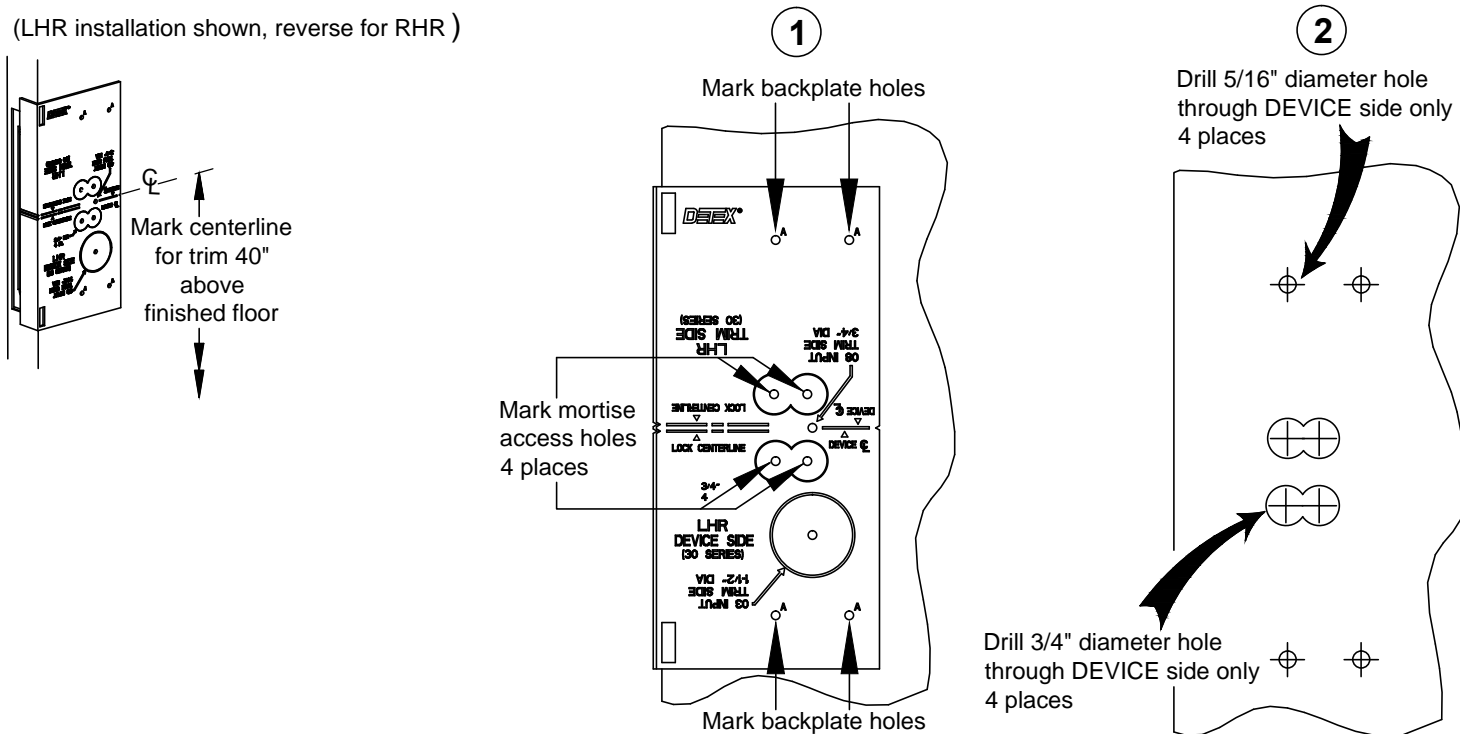
Use plastic template to mark, punch and drill TRIM holes

(LHR installation shown, reverse for RHR)



STEP 2: PREP DOOR - Mortise - Device Side

(LHR installation shown, reverse for RHR)

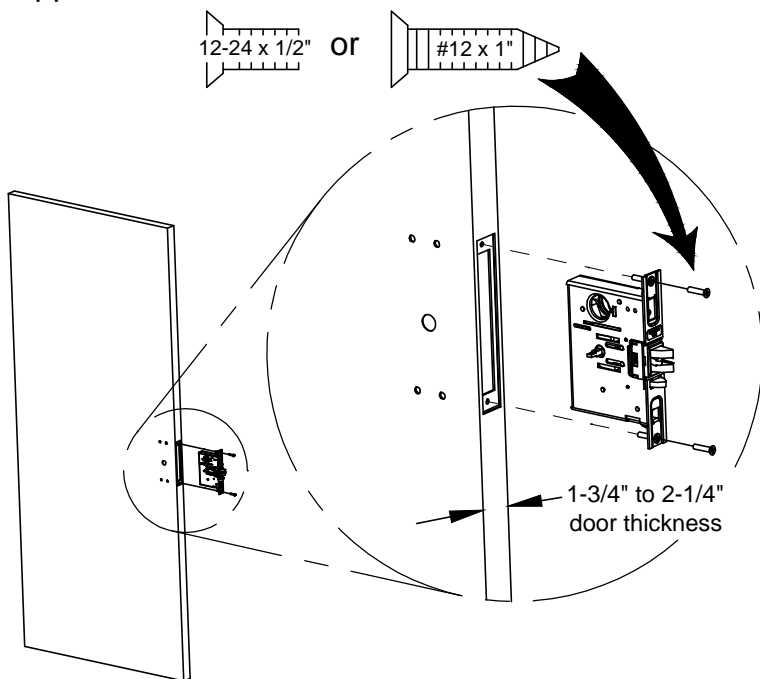


NOTE:

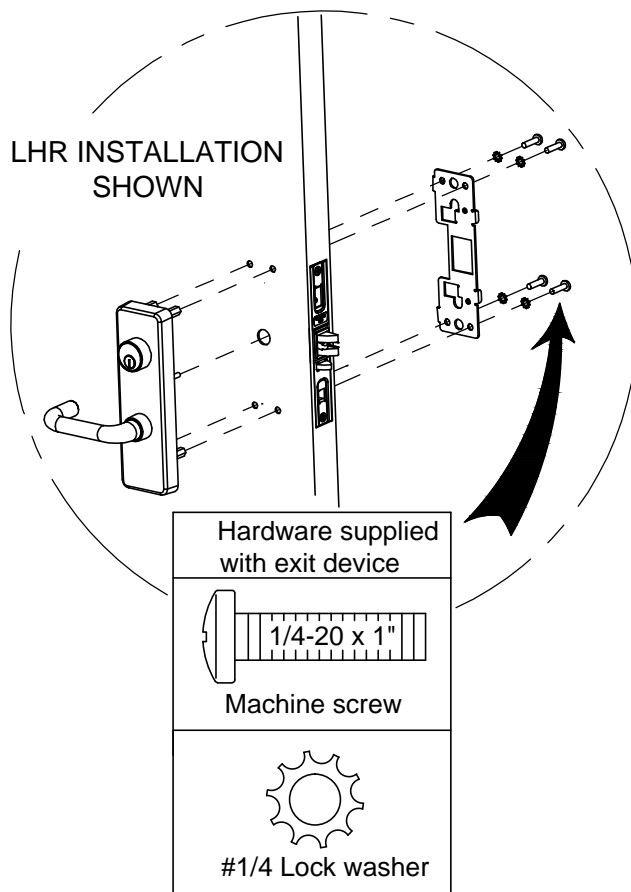
1) For a retrofit application, remove mortise lock (if required) and device before installing new trim.

STEP 3: INSTALL MORTISE LOCK

Install lock with (2) screws supplied with device



STEP 4: INSTALL TRIM



TRIM INSTALLATION COMPLETE

Continue installation using device instructions 101349

RE-HANDING LEVER (if required)

- A. Remove tailpiece extension assembly screw. Remove tailpiece extension assembly if already installed.
- B. Remove stop plate.
- C. **Warning: Springs under pressure!** Remove spring retaining plate and carefully remove the springs.
- D. Switch lock spring to opposite side (for 09 function only).
- E. Remove top gear.
- F. Loosen the clutch center screw approximately two (2) turns. Bend locking tab back to disengage with notch.
- G. Slide the locking bar away from the rack (not necessary for 14 function). Remove the rack while rotating the lever.
- H. Continue rotating the lever to the opposite side.
- I. Rotate the lever to the position shown. Partially engage the rack and the clutch gear on the opposite side.
- J. Rotate the lever until the rack is completely seated.
- K. Insert the top gear.
- L. Add permanent thread locking adhesive and tighten the clutch center screw. Bend tab over screw notch so the screw cannot turn.
- M. **WARNING: Springs under pressure!** Install the springs. Hold the lever in the open position, firmly compressing the springs in place.
- N. While holding the lever in the open position, replace the spring retaining palte and fasten the two (2) screws.
- O. Reverse the stop plate and fasten the screw.
- P. Replace the tailpiece extension and screw.

Handing complete.

