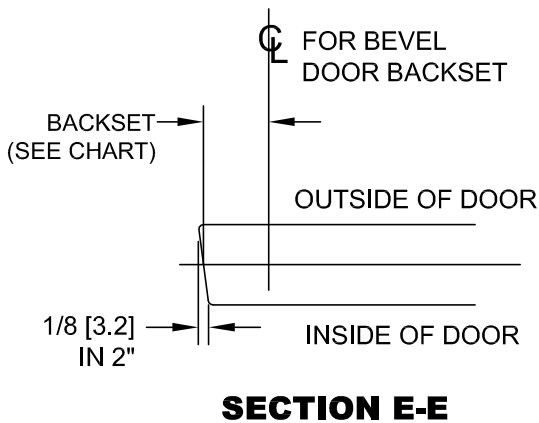
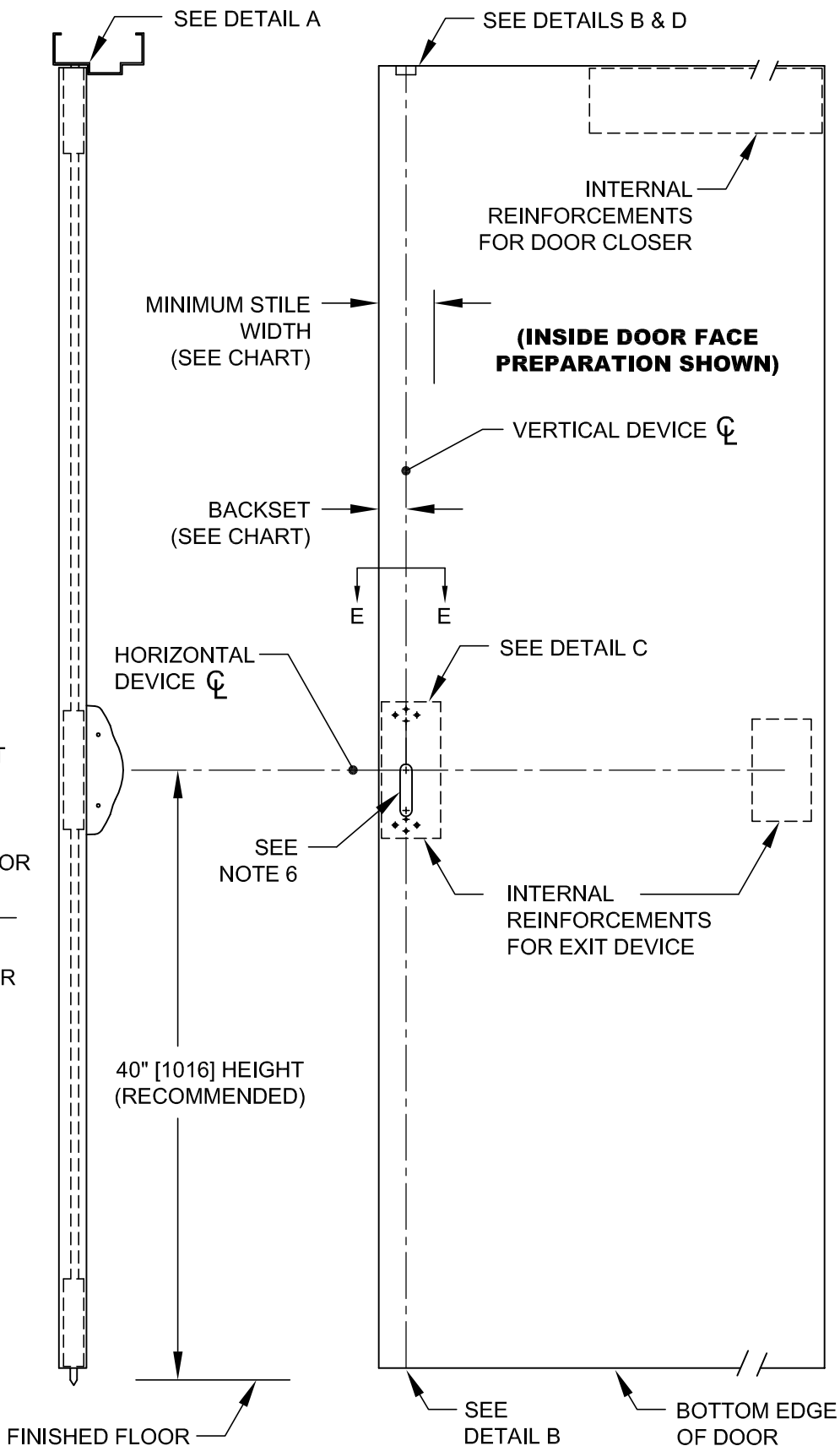


NOTES:

1. DO NOT SCALE DRAWING.
2. DIMENSIONS ARE IN INCHES [mm].
3. LHR DOOR SHOWN.
4. MINIMUM STILE WIDTH: SEE CHART.
5. IF REQUIRED: THRU-BOLT HOLE SIZE
9/32" INTERIOR DOOR FACE
3/8" EXTERIOR DOOR FACE
6. IF OUTSIDE TRIM IS REQUIRED,
REFER TO OUTSIDE TRIM TEMPLATE.

BACKSET	MINIMUM STILE
2-3/4" [69.9]	4-1/2" [114]



HDG. _____ DR. _____ SHEET 1 OF 3

RESPONSIBILITY

Door and Frame Manufacturers are responsible for providing adequate construction or reinforcements for proper installation of hardware shown. All architectural builders hardware must be installed on properly reinforced doors and frames regardless of the type, material or method of construction.

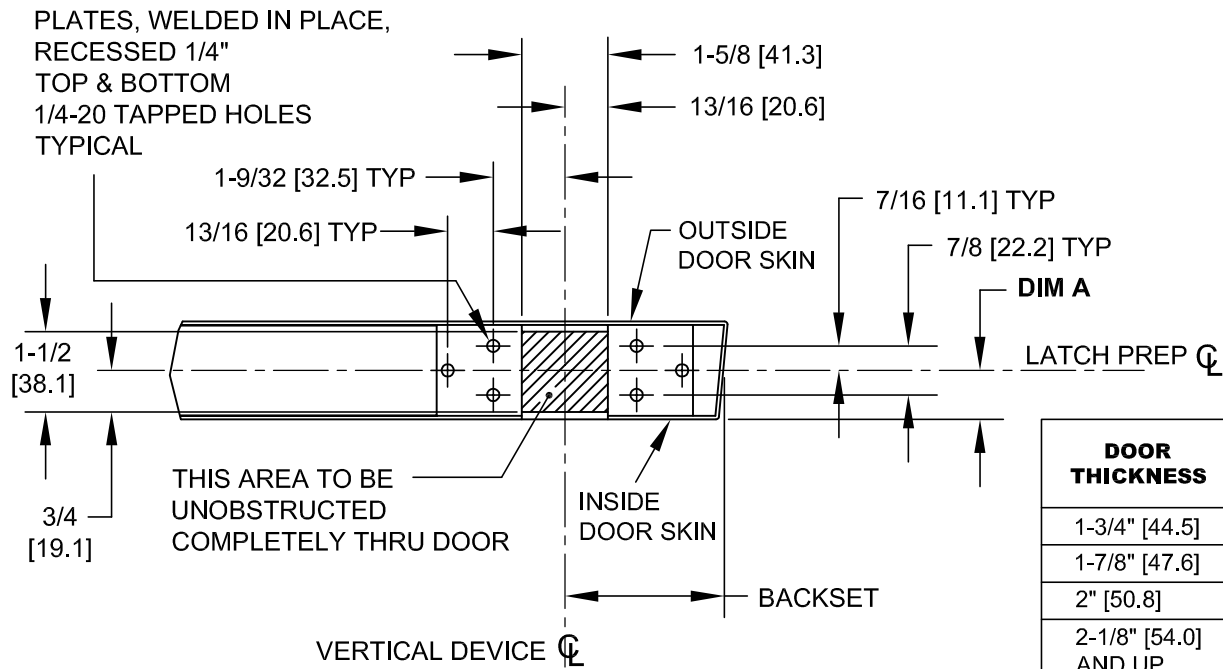
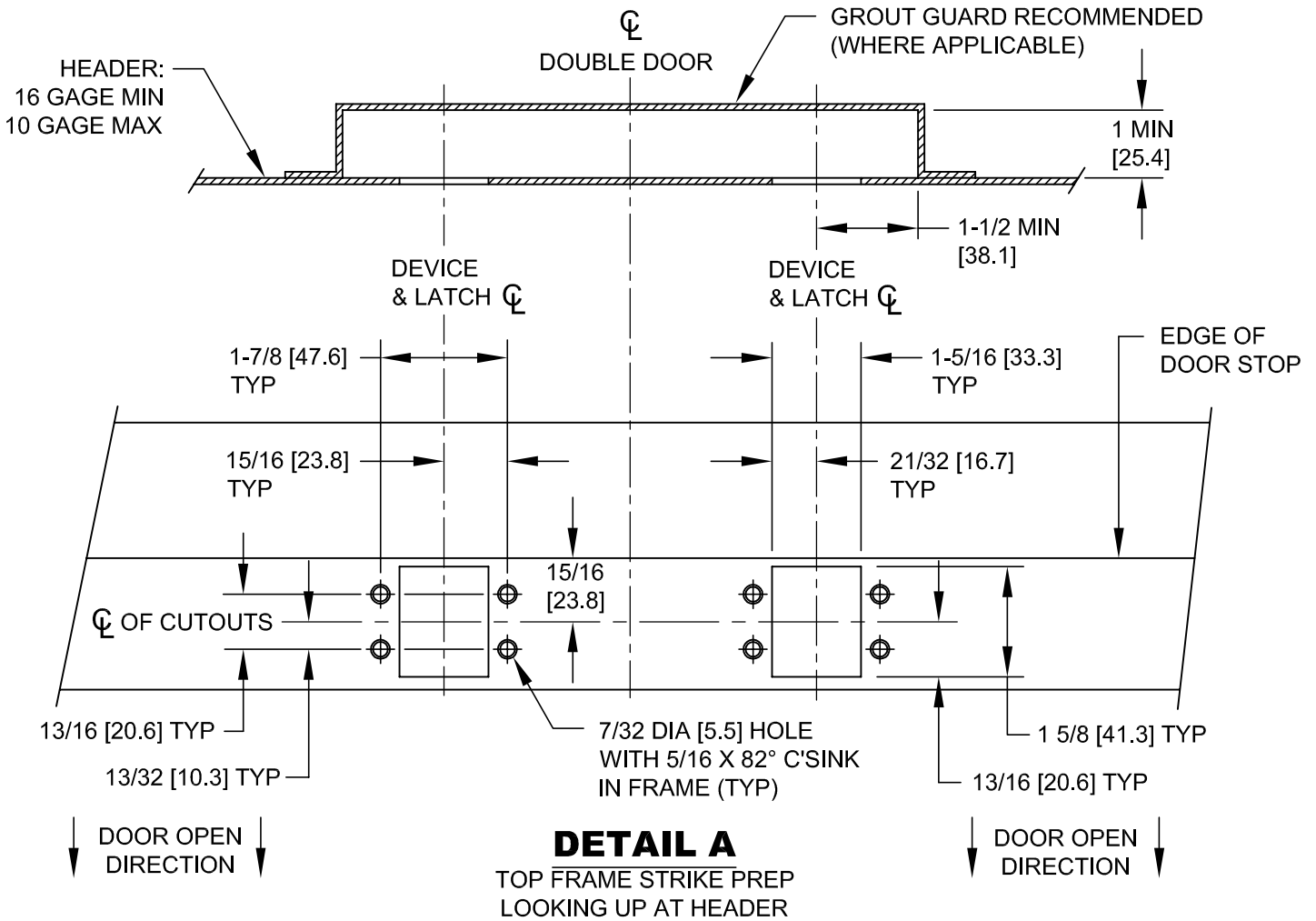
TEMPLATE
STEEL DOOR
87 / F87 / T87 / FT87 SERIES
CONCEALED VERTICAL ROD
EXIT DEVICES



DO NOT SCALE DRAWING

DATE 9-18-14

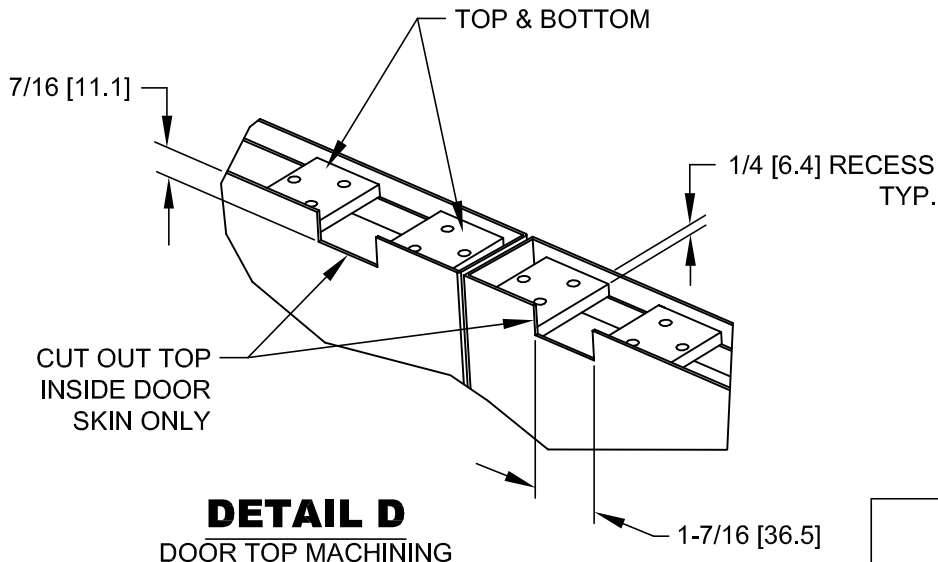
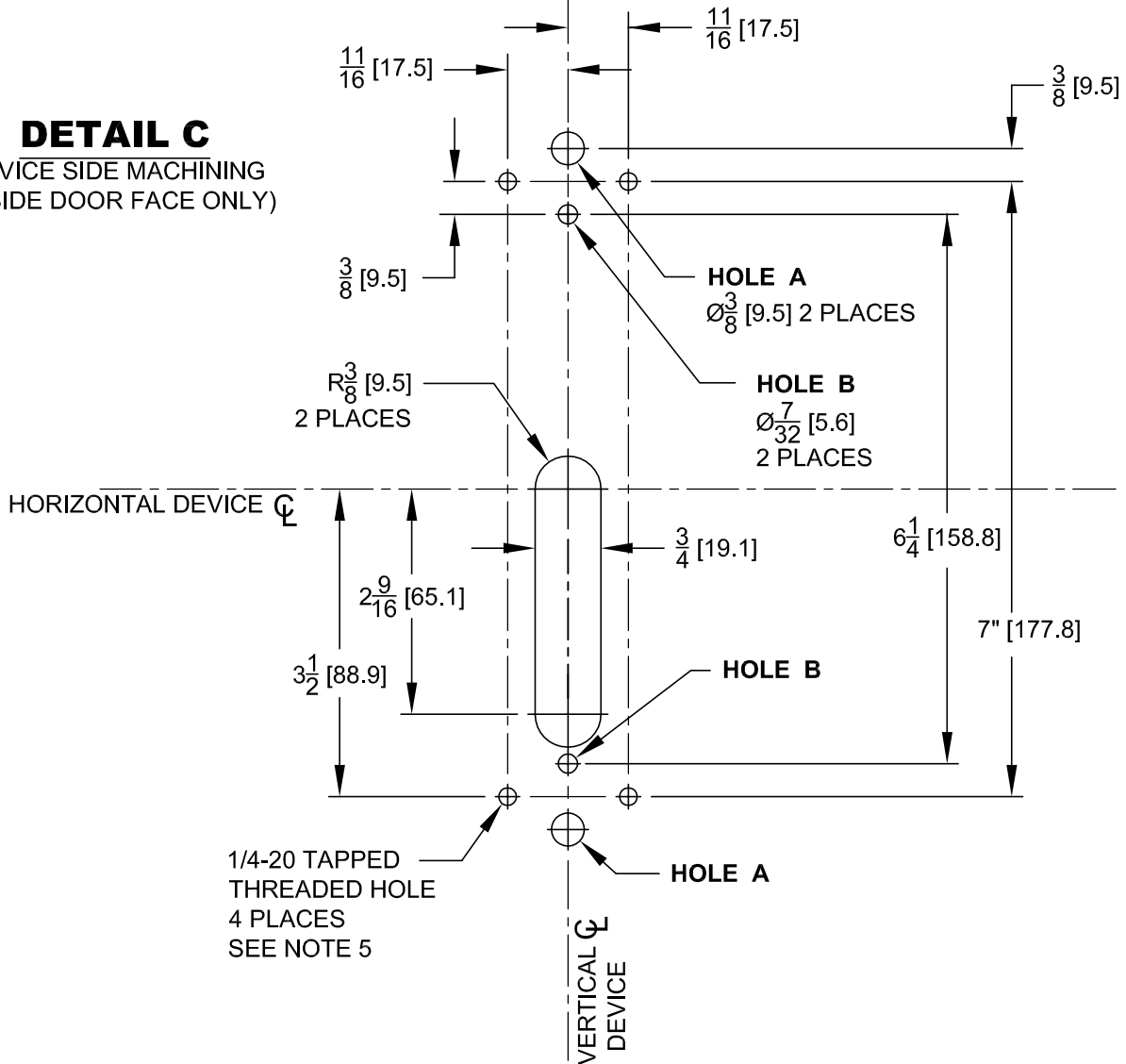
TEMPLATE NUMBER T2341



DOOR THICKNESS	DIM A TO LATCH PREP \mathcal{C}
1-3/4" [44.5]	7/8" [22.2]
1-7/8" [47.6]	15/16" [23.8]
2" [50.8]	1" [25.4]
2-1/8" [54.0] AND UP	1-1/16" [27.0]

TEMPLATE STEEL DOOR 87 / F87 / T87 / FT87 SERIES CONCEALED VERTICAL ROD EXIT DEVICES			
DATE	9-18-14	TEMPLATE NUMBER	T2341
		2 of 3	

DETAIL C
 DEVICE SIDE MACHINING
 (INSIDE DOOR FACE ONLY)



DETAIL D
 DOOR TOP MACHINING

TEMPLATE
 STEEL DOOR
 87 / F87 / T87 / FT87 SERIES
 CONCEALED VERTICAL ROD EXIT DEVICES

DATE	9-18-14	TEMPLATE NUMBER	T2341	3 of 3
------	---------	-----------------	-------	--------